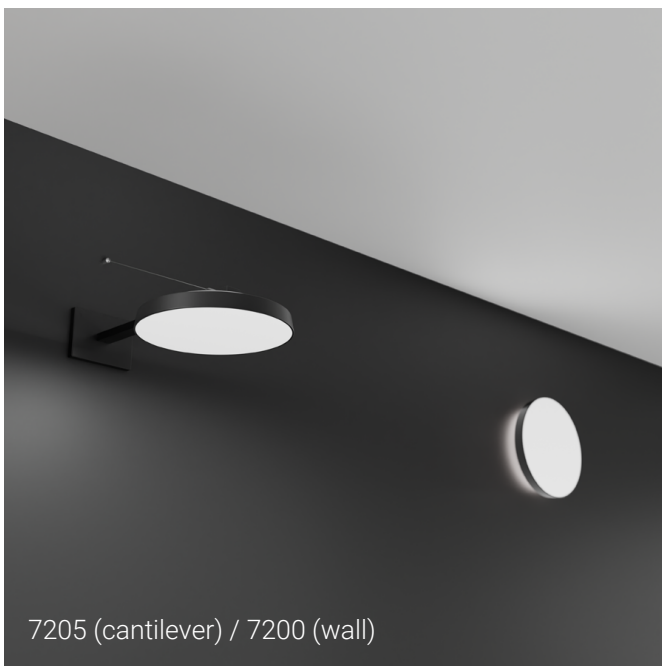




Black finish



7205 (cantilever) / 7200 (wall)

7205 LED

The multifaceted Penny collection is comprised of both indoor (Penny-ID) and outdoor (Penny-OD) rated models. Full breakdown below.

Penny-ID Surface - Model #: 2100 | Penny-ID Pendant - Model #: 2700.
 Penny-OD Surface - Model #: 7200 | Penny-OD Pendant - Model #: 7400.
 Penny-OD Cantilever - Model #: 7205.

While minimal in terms of aesthetic, it is everything but minimal from an application standpoint. Penny is functional enough for corridor illumination, fun enough for cluster mounting in lobbies and common areas, and durable enough for outdoor environments. Penny can also be wiped down for use in healthcare settings.

FINISHES



PENNY-OD OUTDOOR CANTILEVER

STANDARD SPECIFICATIONS - OUTDOOR CANTILEVER MOUNT (7205)

HOUSING + EXTENSION

High quality cast aluminum. Aluminum canopy and extension. Closed cell foam gasket at rear of fixture to assist with mounting on moderately uneven surfaces. Stainless steel aircraft cable and hardware.

DIFFUSER

UV stabilized frosted acrylic diffuser. Injection molded. Smooth uniform illumination.

LED PERFORMANCE - 3500K STANDARD

120-277V - 3500K, 82 CRI - L80 rating - 60,000 hrs - L70 rating (projected) - 100,000 hrs Amperage rated @ 110V input
Operating ambient temperature: -20°C / -4°F - 40°C / 104°F

Delivered 3500K lumens noted. Consult Brownlee.com for performance of all CCTs.

14 Size: L16 - 16W nominal, .13 A input - 1490 lm. Dimmable (0-10V).

14 Size: L32 - 32W nominal, .26 A input - 2690 lm. Dimmable (0-10V).

14 Size: L52 - 52W nominal, .44 A input - 3945 lm. Dimmable (0-10V).

MOUNTING

Directly to jbox (by others) and further anchored to surface via provided mount plate and aircraft cable (anchoring hardware by others, 1/4-20 stud required for cable anchor). Diffuser is preinstalled on housing and should only be removed for servicing of electronics. Service Note: Suction cup (4-5" dia. with handle) required for proper removal/installation of diffuser in outdoor environments. This is not included. Third party reference: <https://amzn.to/3QJjMgY>.

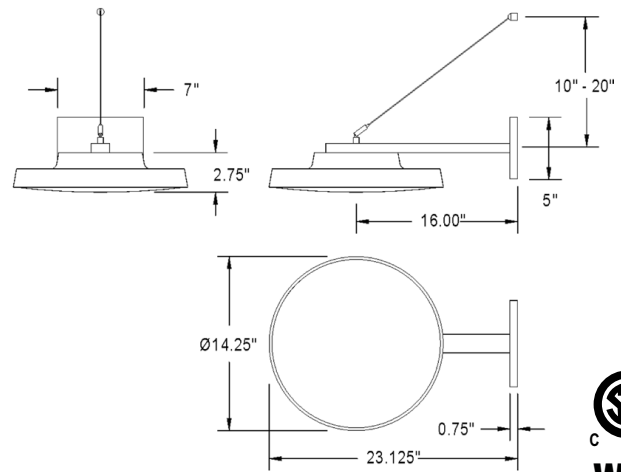
FINISH

Parts are prepared using a three step pre-treatment/sealing process, followed by a durable powder coat finish. Custom colors available, contact factory.

WARRANTY

5 year limited warranty on this LED product.

PROJECT:
MODEL #:
FIXTURE TYPE:



ORDERING INFORMATION

7205	-	-	-	-	-
Model	2.	3.	4.	5.	

2. FINISH

- BL** Black
- BU** Pastel Blue (RAL 5024)
- BZ** Bronze
- GN** Pastel Green (RAL 6019)
- MG** Metallic Gold
- NT** Nickel Tone
- RD** Red (RAL 3020)
- TB** Textured Black
- TG** Textured Grey
- TW** Textured White
- WH** White
- YL** Yellow (RAL 1018)

Note: TB, TG, TW are ultra fine textured matte finishes. Contact your local representative for color swatches.

Note: Antimicrobial finishes available in a select number of finishes. Refer to the Options section of this sheet for details ("AMF").

3. WATTAGE

- 14 SIZE**
- L16** 16W L Series LED
- L32** 32W L Series LED
- L52** 52W L Series LED

4. COLOR TEMPERATURE

- 35K** 3500K standard color temperature
- 30K** 3000K color temperature
- 40K** 4000K color temperature

Note: Contact factory for 2700K color temperature. May require MOQ.

5. AVAILABLE OPTIONS

- 90R⁰** 90 CRI (30K & 35K only)
- AMF** Antimicrobial Finish (BL, NT, WH only) (See AMF note)
- BAC¹** Buy American Compliant
- DTR⁴** Triac (Line Voltage) Dimming (120V)
- FCL⁷** French Canadian Label

Note: Indirect component available for indoor applications only. Contact factory for details.

AMF Note: Antimicrobial powder coat is applied to the exposed metal fixture parts and can inhibit the growth of mildew and spoilage causing microbes on the finish. Diffuser is not antimicrobial.

Universal Footnotes (only applies if option is listed on spec sheet): (0) 90R - 90 CRI output-loss multiplier: 0.85 (estimate). Cannot be combined with ES. (1) BAC - cannot be combined with FCL. (2) BBI/BBS/BBC - cannot be combined with ECW or EXT. (3) BLD - includes integral microwave motion sensor (do not combine with OCC option). Cannot be combined with DTR. (4) DTR - cannot be combined with BLD. (5) ECW - cannot be combined with BBI, BBC, or DTR. (6) ES - cannot be combined with 90R or T24. (7) FCL - cannot be combined with BAC. (8) OCC - integral microwave motion sensor (ON/OFF). (9) T24 - includes JAB labeling and 90 CRI LEDs (do not combine with 90R option). Cannot be combined with ES. (10) PCH/PC4 - cannot be combined with BLD or OCC. **Add'l Notes:** *BBI/BBC - BBI minimum operating temp: 10C/50F unless otherwise stated. BBC minimum operating temp: -20C/-4F. **BLD - integral microwave motion sensor with step-dim control. 1: Motion is detected, illuminate to 100%. 2: Motion no longer detected, dim to set level. 3: Remain in continuous dimmed state or turn off after set period. Configurable via onboard dip switches.

Specifications and dimensions subject to change without notice.

Consult your Brownlee Lighting representative for availability and ordering information.



REVISED
2024.02.23