

**5260 LED**

Split combines style, quality, and performance into a compact form factor. Extruded 2" dia. acrylic diffuser, extruded aluminum frame, low profile die-cast aluminum housing, and die-cast aluminum end caps. This unit is available in two sizes, each of which can be mounted horizontally over a mirror or vertically as a sconce. Brushed Nickel standard with optional finishes available. Note: This model mounts to a 2x4 switch box. Refer to mounting section for details.

**FINISHES**

- 
- 
- 
- 
- 
- 
- 

# SPLIT

## STANDARD SPECIFICATIONS

### HOUSING + FRAME

Die-cast aluminum center housing, USA-extruded aluminum frame, die-cast aluminum end caps.

### DIFFUSER

Ultra slim 2.0" diameter UV stabilized white acrylic. Diffuser is specifically designed to maximize light output with minimal energy consumption. Extruded in the USA.

### LED PERFORMANCE

3500K standard, 90+ CRI - L80 rating - 60,000 hrs - L70 rating (projected) - 100,000 hrs Amperage rated @ 110V input. Operating ambient temperature: -20°C / -4°F - 40°C / 104°F Delivered 3500K lumens noted. Consult Brownlee.com for performance of all CCTs.

#### 26" Size

H16 - 16W nominal, .14 A input - 1790 lm. Dimmable (0-10V). 120-277V.

#### 37" Size

H25 - 25W nominal, .21 A input - 2445 lm. Dimmable (0-10V). 120-277V.

### MOUNTING

Fixture mounts to a 2x4 single gang j-box (by others), positioned in the direction of the fixture. Box to be positioned horizontally if mounting fixture horizontally. Box to be positioned vertically if mounting fixture vertically. Fixture assembly ships pre-assembled for simplified installation (see line drawing). Refer to accessories section for optional cover plate. Indoors only.

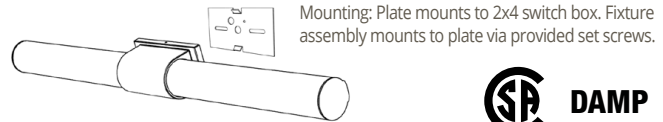
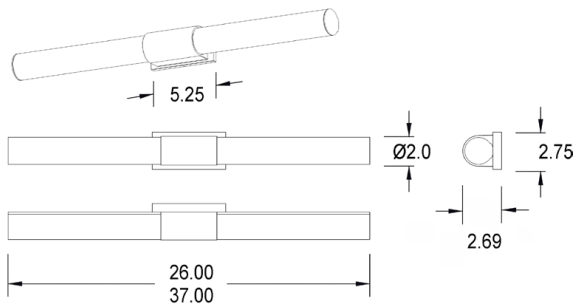
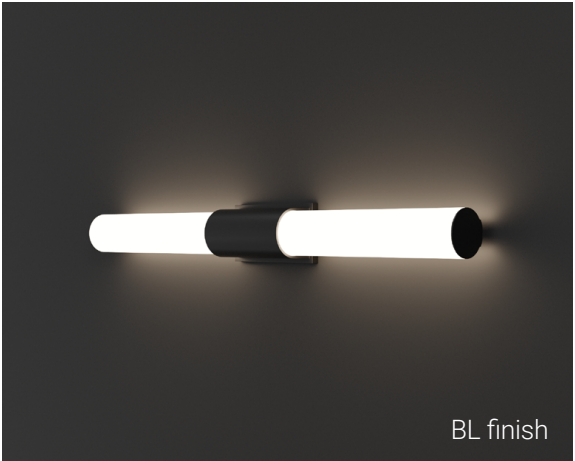
### FINISH

Brushed Nickel is the standard stocked finish. Optional finishes available.

### WARRANTY

5 year limited warranty on this LED product.

<b>PROJECT:</b>
<b>MODEL #:</b>
<b>FIXTURE TYPE:</b>



Mounting: Plate mounts to 2x4 switch box. Fixture assembly mounts to plate via provided set screws.



**DAMP**



## ORDERING INFORMATION

5260	-	-	-	-	-	-
Model	2.	3.	4.	5.	6. (if required)	
<b>26</b> L: 26"	<b>2. SIZE</b>	<b>3. FINISH</b>	<b>4. WATTAGE</b>	<b>5. COLOR TEMPERATURE</b>	<b>6. AVAILABLE OPTIONS</b>	
<b>37</b> L: 37"						
		<b>STANDARD</b> BN Brushed Nickel	<b>26 SIZE</b> H16 16W H Series LED	<b>35K</b> 3500K standard color temperature	<b>AMF</b> Antimicrobial Finish (BL, NT, WH only) (See AMF note)	
		<b>OPTIONAL</b> BL Black BZ Bronze MB Metallic Bronze MG Metallic Gold NT Nickel Tone WH White	<b>37 SIZE</b> H25 25W H Series LED	<b>30K</b> 3000K color temperature <b>40K</b> 4000K color temperature	<b>BAC<sup>1</sup></b> Buy American Compliant <b>DTR<sup>4</sup></b> Triac (Line Voltage) Dimming (120V) <b>ES<sup>6</sup></b> ENERGY STAR® <b>FCL<sup>7</sup></b> French Canadian Labels <b>T24<sup>9</sup></b> Title 24 JA8 Compliant	
				Note: Contact factory for 2700K availability.	<b>AMF Note:</b> Antimicrobial powder coat is applied to the exposed metal fixture parts and can inhibit the growth of mildew and spoilage causing microbes on the finish.	

**ACCESSORIES** (field installed - order separately)

**100043BN** Cover Plate - Brushed Nickel (Covers 4x4 jbox)  
**100043xx** Cover Plate - Specify Finish (xx) (Covers 4x4 jbox)

\*Note: This accessory plate mounts to a 4x4 box via universal crossbar (by others). If mounting this plate to a 2x4 switch box, the direction of the plate/fixture must follow the direction of the 2x4 box lengthwise (i.e. plate will mount horizontally to a horizontally positioned 2x4 box. Plate will not mount horizontally to a vertically positioned 2x4 box - contact factory for custom plate).

**Universal Footnotes (only applies if option is listed on spec sheet):** (0) 90R - 90 CRI output-loss multiplier: 0.85 (estimate). Cannot be combined with ES. (1) BAC - cannot be combined with FCL. (2) BBI/BBS/BBC - cannot be combined with ECW or EXT. (3) BLD - includes integral microwave motion sensor (do not combine with OCC option). Cannot be combined with DTR. (4) DTR - cannot be combined with BLD. (5) ECW - cannot be combined with BBI, BBC, or DTR. (6) ES - cannot be combined with 90R or T24. (7) FCL - cannot be combined with BAC. (8) OCC - integral microwave motion sensor (ON/OFF). (9) T24 - includes JA8 labeling and 90 CRI LEDs (do not combine with 90R option). Cannot be combined with ES. (10) PCH/PC4 - cannot be combined with BLD or OCC. **Add'l Notes:** \*BBI/BBC - BBI minimum operating temp: 10C/50F unless otherwise stated. BBC minimum operating temp: -20C/-4F. \*\*BLD - integral microwave motion sensor with step-dim control. 1: Motion is detected, illuminate to 100%. 2: Motion no longer detected, dim to set level. 3: Remain in continuous dimmed state or turn off after set period. Configurable via onboard dip switches.

**Specifications and dimensions subject to change without notice.**  
 Consult your Brownlee Lighting representative for availability and ordering information.



REVISED  
2023.11.13