



White Out | White In



Black Out | Metallic Gold In

2680 LED

The “Innie” luminaire features an inset diffuser, allowing for a variety of alternating exterior versus interior finish combinations. Fun, architectural, and reasonably priced – perfect for both commercial and residential applications. Surface (Model #: 2080) or Pendant (Model #: 2680) mounting options. The standard finish combination is white on white.

CUSTOMIZE



INNIE PENDANT

STANDARD SPECIFICATIONS - PENDANT MOUNT (Model 2680)

HOUSING

16" & 20" sizes utilize a cold rolled steel formed spinning. 30" & 42" sizes utilize an aluminum alloy formed spinning. No exposed hardware on spinning wall.

DIFFUSER

Diffuser is slightly convex in shape and is constructed of UV stabilized white acrylic.

LED PERFORMANCE - 3500K STANDARD

120-277V - 3500K, 82+ CRI - L80 rating - 60,000 hrs - L70 rating (projected) - 100,000 hrs Amperage rated @ 110V input. Operating ambient temperature: -20°C / -4°F - 40°C / 104°F Delivered 3500K lumens noted. Consult Brownlee.com for performance of all CCTs.

16 Size: R11 - 11W nominal, .09 A input - 1017 lm. Dimmable (0-10V).

16 Size: R22 - 22W nominal, .19 A input - 1916 lm. Dimmable (0-10V).

20 Size: R34 - 34W nominal, .28 A input - 2858 lm. Dimmable (0-10V).

20 Size: R49 - 49W nominal, .41 A input - 3797 lm. Dimmable (0-10V).

30 Size: S49 - 49W nominal, .38 A input - 4996 lm. Dimmable (0-10V).

30 Size: S98 - 98W nominal, .80 A input - 9415 lm. Dimmable (0-10V).

42 Size: S93 - 93W nominal, .77 A input - 10410 lm. Dimmable (0-10V).

42 Size: S183 - 183W nominal, 1.50 A input - 19051 lm. Dimmable (0-10V).

MOUNTING

16" & 20" sizes: mounts to j-box (by others). Hardware included. Weight </ 10 lbs.

30" & 42" sizes: mounts to j-box (by others) and must be further anchored to ceiling via provided anchor plate. Anchoring fasteners not included. Standard weight </ 40 lbs. Refer to Model #: 2080 for surface mount.

FINISH

Matte White outer/inner is the standard finish combination. Optional finishes available (adds to lead time). Genuine Bamboo veneer available for inner side only. Bamboo has replaced White Oak as of 04/2023 (refer to ordering section for more information). Application must be climate-controlled if Bamboo is specified.

INDIRECT COMPONENT (OPTIONAL)

Dedicated indirect (up light) component available as an optional offering. Wired to same circuit as direct (down light) output and therefore not independently controllable. Contact factory if independent control is required.

Refer to Options section of spec sheet to order.

UP1 - 16W nominal, .15 A input - 1600 lm. (0-10V).

UP2 - 22W nominal, .20 A input - 2220 lm. (0-10V).



WARRANTY

5 year limited warranty. Refer to Warranty web page for details.

Specifications and dimensions subject to change without notice.

Consult your Brownlee Lighting representative for availability and ordering information.

PROJECT:
MODEL #:
FIXTURE TYPE:



SUSPENSION

Cord & Cable (CC1 & CC3): Both the power cord and aircraft cable(s) can be trimmed/adjusted in the field. See optional ordering code CE1 and CE2 for extended drops. Canopy dimensions: 6" dia. x 0.75" H.

CC1

CC3



16"



20"



30"

INNIE



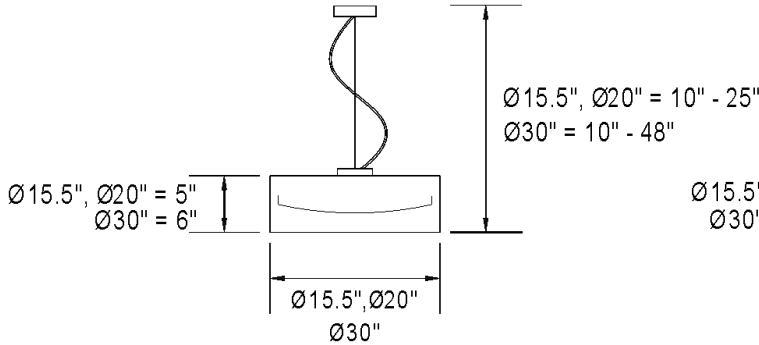
42"

INNIE PENDANT

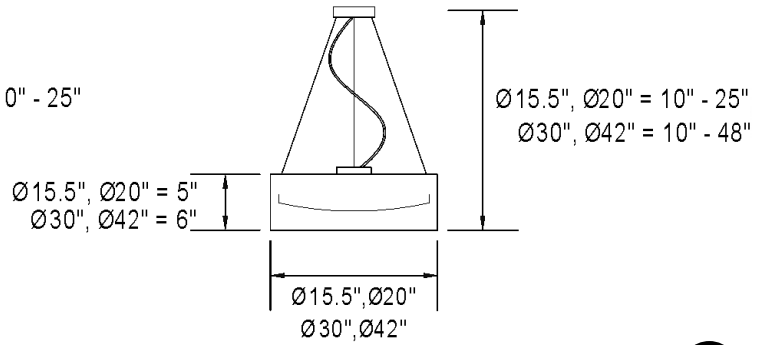
STANDARD SPECIFICATIONS - PENDANT MOUNT (Model 2680)

PROJECT:
MODEL #:
FIXTURE TYPE:

CORD & SINGLE CABLE (CC1)



CORD & THREE CABLES (CC3)



ORDERING INFORMATION

2680	-	2.	-	3.	-	4.	-	5.	-	6.	-	7.	-	8.	-	9.
Model																

2. SIZE

16	15.50" dia x 5" H
20	20.00" dia x 5" H
30	30.00" dia x 6" H
42	42.00" dia x 6" H

3. OUTER FINISH

Finish applies to outer spinning, rear wiring compartment, and ceiling canopy.

STANDARD

WH	White (Standard Finish - Quickest Lead Time)
-----------	--

OPTIONAL

BL	Black
BU	Pastel Blue (RAL 5024)
GN	Pastel Green (RAL 6019)
MG	Metallic Gold
NT	Nickel Tone
OR	Florida Orange
RD	Red (RAL 3020)
YL	Yellow (RAL 1018)

4. WATTAGE

16 SIZE

R11	11W R Series LED
R22	22W R Series LED

20 SIZE

R34	34W R Series LED
R49	49W R Series LED

30 SIZE

S49	49W S Series LED
S98	98W S Series LED

42 SIZE

S93	93W S Series LED
S183	183W S Series LED

Overhaul Note 1: 16" & 20" sizes have updated lumen packages. These replace the original "B" & "C" Series lumen packages.

Overhaul Note 2: "L" ordering codes have been renamed to "R" (16" & 20" sizes) and "S" (30" & 42" sizes). No change in outputs, simply a verbiage update (i.e. "34L" = "R34", "98L" = "S98").

5. INNER FINISH

Finish applies to inner spinning only.

STANDARD

WH	White (Standard Finish - Quickest Lead Time)
-----------	--

OPTIONAL

BL	Black
BMB*	Bamboo (Real Veneer)
BU	Pastel Blue (RAL 5024)
GN	Pastel Green (RAL 6019)
MG	Metallic Gold
NT	Nickel Tone
OR	Florida Orange
RD	Red (RAL 3020)
YL	Yellow (RAL 1018)
WHK**	White Oak (Real Veneer)

*Bamboo Care/Environment: Real bamboo. Do not allow contact with water/moisture. Wipe dust with dry microfibre towel. **Do not install in moist/humid areas such as bathrooms, non-climate controlled spaces, etc.** The veneer may have a seam/finger-joint along the circumference of the fixture - this is normal.

Material Change (04/2023): Due to supply challenges with White Oak (WHK), it is being replaced with Bamboo (BMB). The two are visually consistent. **Orders entered as WHK will ship as BMB unless approved in writing by Brownlee. Contact factory for BMB swatches.

6. SUSPENSION

CC1	Cord & Single Cable (Unavailable in 42" size)
CC3	Cord & Three Cable

Overhaul Note: For streamlining purposes, Single Stem Mount (SSM) has been removed from this model's standard offering. SSM can still be ordered on 16" & 20" sizes if required. Specify "SSM" and price as CC1. Stem and canopy to match outer fixture finish unless otherwise noted. Contact factory for SSM stem extension options.

7. CORD COLOR

Overhaul Note: This selection applies to power cord finish only. Ceiling canopy matches outer fixture finish selection.

BLC	Black Cord
GYC	Grey Cord
WHC	White Cord

8. COLOR TEMPERATURE

35K	3500K standard color temperature
27K	2700K color temp. (R wattages only)
30K	3000K color temperature
40K	4000K color temperature

9. AVAILABLE OPTIONS

90R⁹	90 CRI (30K & 35K only) (Not available with UP1/UP2 option)
BAC¹	Buy American Compliant
BLD^{3**}	Bi-Level Dimming (16 & 20 size only)
CE1	3' - 10' Cord/Cable Extension (10' total)
CE2	10' - 20' Cord/Cable Extension (20' total)
DTR⁴	Triac (Line Voltage) Dimming (120V)
ES⁶	ENERGY STAR (16 & 20 size only)
FCL⁷	French Canadian Labels
OCC⁸	Occupancy Sensor (16 & 20 size only)
UP1	Up Light (Indirect) Component - 16W / 1600 lm
UP2	Up Light (Indirect) Component - 22W / 2220 lm
T24⁹	Title 24 JA8 Compliant (30K & 35K only) (15 & 19 size only)

Note: Contact factory for Battery Backup.

Universal Footnotes (only applies if option is listed on spec sheet): (1) **90R** - 90 CRI output-loss multiplier: 0.85 (estimate). Cannot be combined with ES. (2) **BAC** - cannot be combined with FCL. (3) **BBI/BBS/BBC** - cannot be combined with ECW or EXT. (4) **BLD** - includes integral microwave motion sensor (do not combine with OCC option). Cannot be combined with DTR. (5) **DTR** - cannot be combined with BLD. (6) **ES** - cannot be combined with BBI, BBC, or DTR. (7) **ES** - cannot be combined with 90R or T24. (8) **FCL** - cannot be combined with BAC. (9) **OCC** - integral microwave motion sensor (ON/OFF). (10) **T24** - includes JA8 labeling and 90 CRI LEDs (do not combine with 90R option). Cannot be combined with ES. (11) **PCH/PC4** - cannot be combined with BLD or OCC. **Add'l Notes:** ***BBI/BBC** - BBI minimum operating temp: 10C/50F unless otherwise stated. BBC minimum operating temp: -20C/-4F. ****BLD** - integral microwave motion sensor with step-dim control. 1: Motion is detected, illuminate to 100%. 2: Motion no longer detected, dim to set level. 3: Remain in continuous dimmed state or turn off after set period. Configurable via onboard dip switches. **Specifications and dimensions subject to change without notice.** Consult your Brownlee Lighting representative for availability and ordering information.