

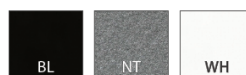


**2660 LED**

USA-extruded aluminum frame. USA-extruded frosted acrylic diffuser. Slim 2" w rounded form-factor. Ultra slim .11" dia. power drop. React is a high quality suspended luminaire that is perfect for general illumination in open-office layouts, conference rooms, lobbies, schools, common areas, and more.

Diffuser is uniformly illuminated and free from glare while maintaining efficient outputs of up to 125 lm/W utilizing 90+ CRI LED technology. Components are field-serviceable. Available with remote battery backup.

**FINISHES**



# REACT

## STANDARD SPECIFICATIONS

### FRAME

USA-extruded aluminum frame with inset aluminum end plates in your choice of finish.

### DIFFUSER

USA-extruded ultra-slim 2" w UV stabilized frosted acrylic.

### LED PERFORMANCE | SEMI-DIRECT DISTRIBUTION

120-277V - 3500K, 90+ CRI standard - L80 rating - 60,000 hrs - L70 (projected) - 100,000 hrs Amperage rated @ 110V input. Operating ambient temperature: -20°C / -4°F - 40°C / 104°F Delivered 3500K lumens noted. Consult Brownlee.com for performance of all CCTs.

**LOW OUTPUT: 525+ lm/ft (nominal). 122+ lm/W.**

**HIGH OUTPUT: 985+ lm/ft (nominal). 99-110 lm/W.**

**ZONAL LUMENS\* (% of fixture): 0-90: 82.20%. 90-180: 17.80%.**

\*Refer to last page of spec sheet for supporting photometric data.

### 24" Size

Low: H10 - 9W nominal, .10 A input - 1110 lm. Dimmable (0-10V).

High: H21 - 20W nominal, .18 A input - 1984 lm. Dimmable (0-10V).

### 46" Size

Low: H18 - 18W nominal, .20 A input - 2113 lm. Dimmable (0-10V).

High: H41 - 40W nominal, .35 A input - 3967 lm. Dimmable (0-10V).

### 68" Size

Low: H26 - 26W nominal, .30 A input - 3173 lm. Dimmable (0-10V).

High: H54 - 54W nominal, .53 A input - 5920 lm. Dimmable (0-10V).

### 90" Size

Low: H35 - 35W nominal, .30 A input - 4235 lm. Dimmable (0-10V).

Med: H53 - 53W nominal, .53 A input - 6068 lm. Dimmable (0-10V).

High: H72\* - 72W nominal, .60 A input - 7918 lm. Dimmable (0-10V).

\*H72 available with [remote mount](#) configurations only.

PROJECT:

MODEL #:

FIXTURE TYPE:



### SUSPENSION

React's aluminum extrusion features a top channel which allows the cable grippers to slide, providing position-flexibility when mounting. Cable grippers can be tightened into desired position in the field (hardware included). Base of power drop is fixed at end of fixture and does not slide. Cable length is 48" standard. See options section for extended drops. The standard power drop finish is silver braided with clear jacket (.11" dia.). Contact factory for optional colors.

### CM

Canopy Mount



**Canopy Mount:** Driver integral to 6" dia. ceiling canopy. Power drop and aircraft cable on powered end are fixed to canopy for clean organized mounting (limits slide flexibility). Aircraft cable on non-powered end slides freely and fastens to 1/4-20 ceiling anchor stud (by others) via provided coupler. Coupler includes a 2" dia. canopy for optional use in field.

### CMD

Canopy Mount, Detached Cable



**Canopy Mount, Detached:** Driver integral to 6" dia. ceiling canopy. Power drop is fixed to canopy. Aircraft cables slide freely on both ends and fasten to 1/4-20 ceiling anchor studs (by others) via provided coupler. Each coupler includes a 2" dia. canopy for optional use in field. Tip: CMD is useful if desired fixture location is adjacent to or not directly underneath pre-installed jbox.

### RM

Remote Mount



**Remote Mount:** Driver box installed remotely. Power drop and aircraft cable on powered end are fixed to low-profile 5" dia. ceiling canopy for clean organized mounting (limits slide flexibility). Aircraft cable on non-powered end slides freely and fastens to 1/4-20 ceiling anchor stud (by others) via provided coupler. Coupler includes a 2" dia. canopy for optional use in field. Note: Total distance from remote driver to jbox cannot exceed 30 ft. Must use 18-gauge copper wire between jbox and remote driver.

### RMD

Remote Mount, Detached Cable



**Remote Mount, Detached:** Driver box installed remotely. Power drop is fixed to low-profile 5" dia. ceiling canopy. Aircraft cables slide freely on both ends and fasten to 1/4-20 ceiling anchor studs (by others) via provided coupler. Each coupler includes a 2" dia. canopy for optional use in field. Note: Total distance from remote driver to jbox cannot exceed 30 ft. Must use 18-gauge copper wire between jbox and remote driver. Tip: RMD is useful if desired fixture location is adjacent to or not directly underneath pre-installed jbox.

24

46

68

90

### FINISH

High quality powder coat finish to metal parts. Canopy matches fixture finish. Remote driver box is unfinished galvanized steel unless otherwise specified. Power drop is metallic silver with clear jacket unless otherwise specified. Aircraft cables, cable grippers, and couplers are stainless steel.

### WARRANTY

5 year limited warranty on this LED product. Consult factory for details.

### Specifications and dimensions subject to change without notice.

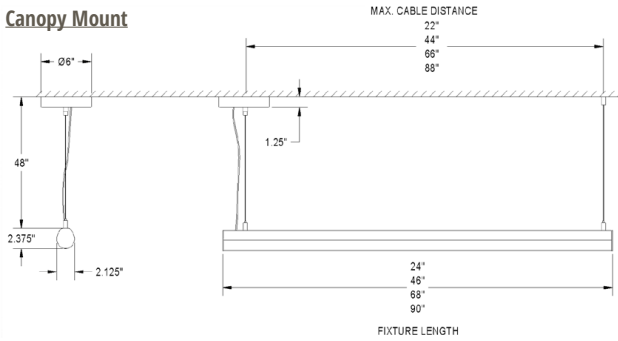
Consult your Brownlee Lighting representative for availability and ordering information.

# REACT

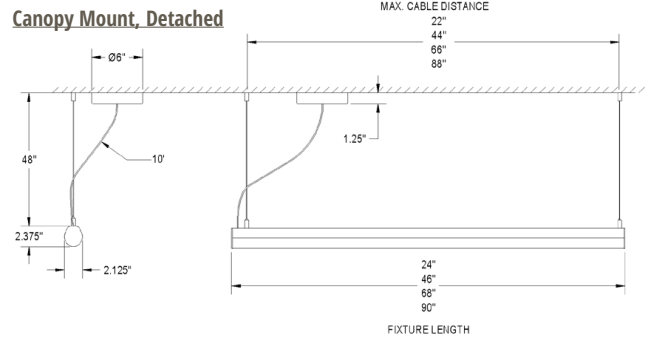
## STANDARD SPECIFICATIONS

<b>PROJECT:</b>
<b>MODEL #:</b>
<b>FIXTURE TYPE:</b>

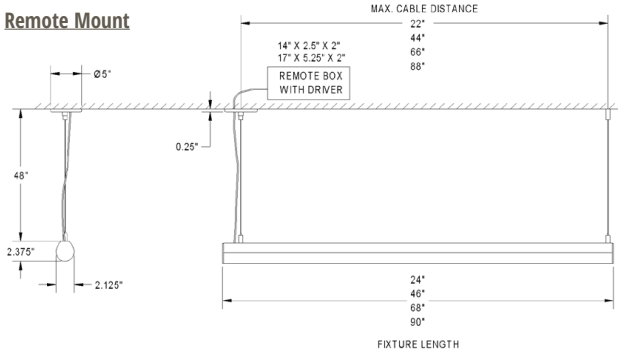
### Canopy Mount



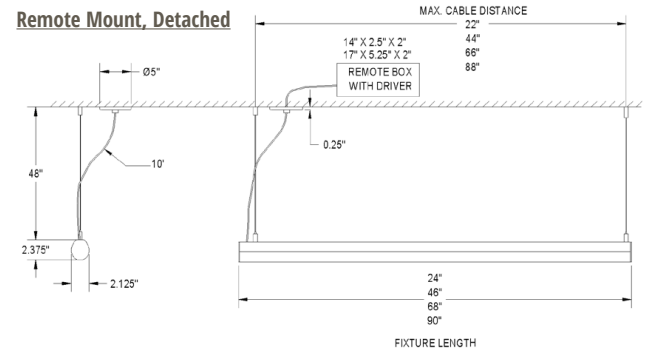
### Canopy Mount, Detached



### Remote Mount



### Remote Mount, Detached



### REMOTE MOUNT SUSPENSION BOX

Most Remote Mount lumen packages utilize 14" x 2.50" w x 2" h box. A longer 17" l box is utilized in the following circumstances: 1. H72 lumen package (90" size), 2. All 68" and 90" lumen packages specified with battery backup, 3. 14" box stock outage. Refer to installation instructions for mounting details.

### BATTERY BACKUP

Battery Backup optional. Available with Remote Mount suspensions only (RM, RMD). Battery pack is installed remotely in the same box as driver. Battery test switch and traditional 4.50" x 2.75" white mount plate provided - must be visibly installed in accordance with local codes. Battery mode: provides a minimum of 10W/1000 delivered lumens for a period of 90 minutes.



## ORDERING INFORMATION

### 2660

Model                      2.                      3.                      4.                      5.                      6.                      7.

### 2. SIZE

- 24** L: 24" (2')
- 46** L: 46" (4' nom)
- 68** L: 68" (6' nom)
- 90** L: 90" (8' nom)

### 3. FINISH

- BL** Black
- NT** Nickel Tone
- WH** White

Note: This product is power-coated in house. Additional finishes available as a modified option. Refer to [Brownlee's Finishes page](#) for inspiration.

### 4. WATTAGE

- 24 SIZE**
- H10** Low Output LED
  - H21** High Output LED
- 46 SIZE**
- H18** Low Output LED
  - H41** High Output LED
- 68 SIZE**
- H26** Low Output LED
  - H54** High Output LED
- 90 SIZE**
- H35** Low Output LED
  - H53** Med Output LED
  - H72**<sup>NOTE</sup> High Output LED

Note: H72 available with remote mount (RM, RMD) configurations only. H72 unavailable with BBR.

### 5. SUSPENSION

- CM** Canopy Mount
- CMD** Canopy Mount Detached
- RM** Remote Mount
- RMD** Remote Mount Detached

### 6. COLOR TEMPERATURE

- 35K** 3500K standard color temperature
- 30K** 3000K color temperature
- 40K** 4000K color temperature

Note: 27K available as a modified option. Contact factory to confirm stock.

### 7. AVAILABLE OPTIONS

- BAC**<sup>1</sup> Buy American Compliant
- BBR**<sup>2\*</sup> Battery Backup Remote (Remote suspensions only - RM, RMD) (Unavailable in H72 wattage)  
*Battery must be connected to continuous power supply within 7 Mo. of shipping. See Warranty Note 3.*
- CE1** 10' Cord/Cable Extended Drop (10' total) Contact factory for drops over 10'
- DTR**<sup>4</sup> Triac (Line Voltage) Dimming (120V) (Unavailable in H72 wattage)
- FCL**<sup>7</sup> French Canadian Labels

**Universal Footnotes (only applies if option is listed on spec sheet):** (0) 90R - 90 CRI output-loss multiplier: 0.85 (estimate). Cannot be combined with ES. (1) BAC - cannot be combined with FCL. (2) BBI/BBS/BBC - cannot be combined with ECW or EXT. (3) BLD - includes integral microwave motion sensor (do not combine with OCC option). Cannot be combined with DTR. (4) DTR - cannot be combined with BLD. (5) ECW - cannot be combined with BBI, BBC, or DTR. (6) ES - cannot be combined with 90R or T24. (7) FCL - cannot be combined with BAC. (8) OCC - integral microwave motion sensor (ON/OFF). (9) T24 - includes JAB labeling and 90 CRI LEDs (do not combine with 90R option). Cannot be combined with ES. (10) PCH/PC4 - cannot be combined with BLD or OCC. **Add'l Notes:** \*BBI/BBC - BBI minimum operating temp: 10C/50F unless otherwise stated. BBC minimum operating temp: -20C/-4F. \*\*BLD - integral microwave motion sensor with step-dim control. 1: Motion is detected, illuminate to 100%. 2: Motion no longer detected, dim to set level. 3: Remain in continuous dimmed state or turn off after set period. Configurable via onboard dip switches.

### Specifications and dimensions subject to change without notice.

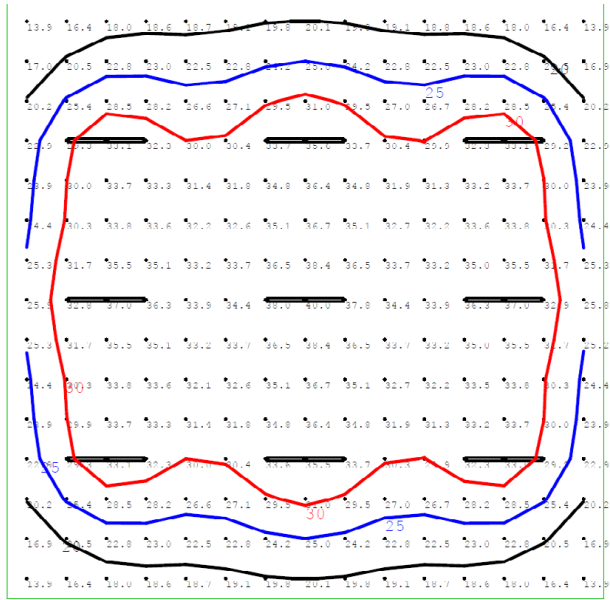
Consult your Brownlee Lighting representative for availability and ordering information.



# REACT

## STANDARD SPECIFICATIONS

PROJECT:
MODEL #:
FIXTURE TYPE:

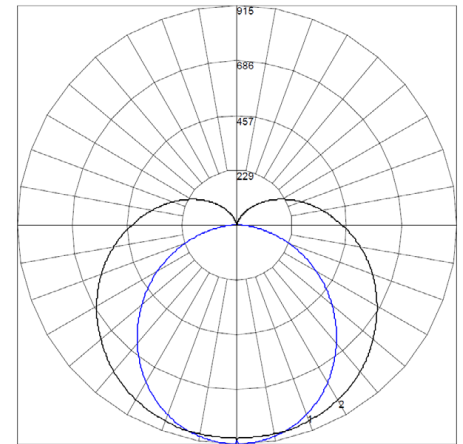


← Model: 2660-46-H41-35K / QTY: 9  
 DESCRIPTION: 4' Nom, High Output  
 ROOM SIZE - 30'L X 30'W X 12'H  
 REFLECTANCE - 80% / 50% / 20%  
 MOUNTING HEIGHT - 9' A.F.F.  
 CALCULATION GRID - 2' X 2'  
 CALCULATION PLANE - 2.5' (30") A.F.F.  
 AVERAGE ILLUMINANCE - 28 FC  
 FIXTURE SPACING - 8' X 10'  
 UNIFORMITY - 2.0:1 (AVG/MIN)  
 LIGHT LOSS FACTOR (LLF): .95

## PHOTOMETRIC DATA

For theoretical reference only. Data subject to change without notice.

### POLAR GRAPH

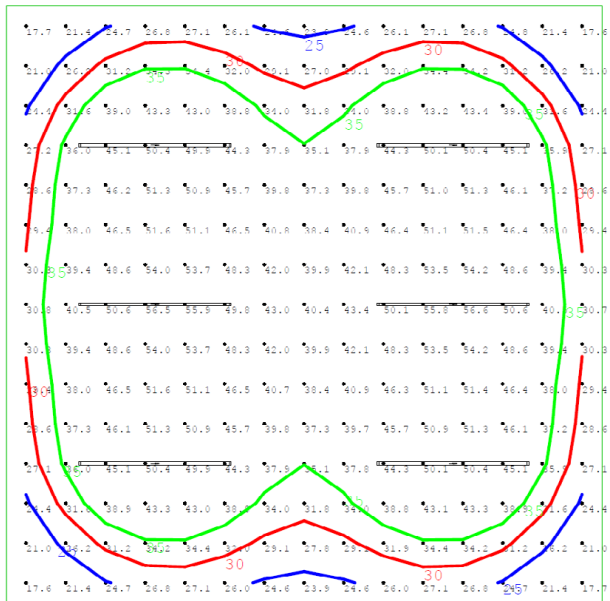


↑ ↓ Model: 2660-96-H35-35K / QTY: 1

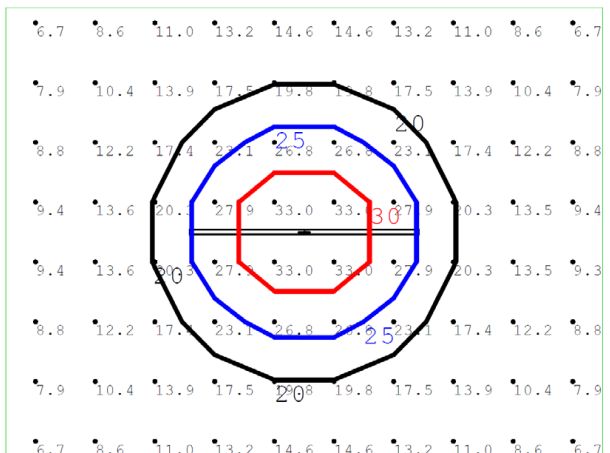
DESCRIPTION: 8' Nom, Low Output  
 BLUE (1): Vertical Plane Through Horizontal Angles (0 - 180)  
 BLACK (2): Vertical Plane Through Horizontal Angles (90 - 270)  
 LUMENS: 4233 | WATTS: 34.33 | EFFICACY: 123 LM/W

### ZONAL LUMEN SUMMARY

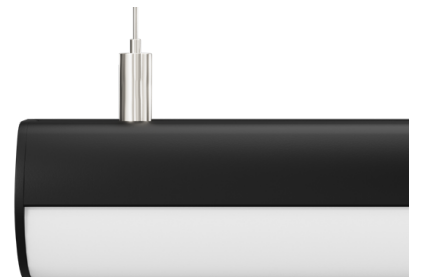
Zone	Lumens	% Fixt
0-20	331.82	7.80
0-30	713.53	16.90
0-40	1190.93	28.10
0-60	2244.11	53.00
0-80	3148.72	74.40
0-90	3480.56	82.20
10-90	3395.4	80.20
20-40	859.12	20.30
20-50	1384.64	32.70
40-70	1541.15	36.40
60-80	904.61	21.40
70-80	416.64	9.80
80-90	331.84	7.80
90-110	447.02	10.60
90-120	581.65	13.70
90-130	668.85	15.80
90-150	742.45	17.50
90-180	752.86	17.80
110-180	305.84	7.20
0-180	4233.41	100.00



← Model: 2660-90-H72-35K / QTY: 6  
 DESCRIPTION: 8' Nom, High Output  
 ROOM SIZE - 30'L X 30'W X 12'H  
 REFLECTANCE - 80% / 50% / 20%  
 MOUNTING HEIGHT - 9' A.F.F.  
 CALCULATION GRID - 2' X 2'  
 CALCULATION PLANE - 2.5' (30") A.F.F.  
 AVERAGE ILLUMINANCE - 38 FC  
 FIXTURE SPACING - 8' X 15'  
 UNIFORMITY - 2.2:1 (AVG/MIN)  
 LIGHT LOSS FACTOR (LLF): .95



← Model: 2660-90-H72-35K / QTY: 1  
 DESCRIPTION: 8' Nom, High Output  
 ROOM SIZE - 20'L X 15'W X 12'H  
 REFLECTANCE - 80% / 50% / 20%  
 MOUNTING HEIGHT - 9' A.F.F.  
 CALCULATION GRID - 2' X 2'  
 CALCULATION PLANE - 2.5' (30") A.F.F.  
 AVERAGE ILLUMINANCE - 16 FC  
 FIXTURE SPACING - 15'  
 UNIFORMITY - 2.4:1 (AVG/MIN)  
 LIGHT LOSS FACTOR (LLF): .95



Specifications and dimensions subject to change without notice.  
 Consult your Brownlee Lighting representative for availability and ordering information.