



Wall: 1575D-08" in Black (BL) | Ceiling: 2081-19" in Black (BL)



1575S-46" in Black (BL)

1575 LED

The BRICK-ID (indoor) is a minimal, clean and contemporary interior sconce with exceptional versatility: Four ADA compliant sizes (8", 12", 24" and 46"), dual direction or single direction LED distribution, pull chain availability and a variety of finishes to choose from. Perfect for common areas and corridors in commercial offices, hotels and residential spaces, as well as patient rooms in healthcare facilities. This unit features acrylic top and bottom covers to protect the light source.

FINISHES



BRICK-ID INDOOR

FOR OUTDOOR, REFER TO MODEL #: 7075

STANDARD SPECIFICATIONS - DUAL DIRECTION DISTRIBUTION (1575D)

OUTER FRAME

Formed, cold rolled steel. Outer frame contains no exposed hardware.

DIFFUSER

UV stabilized frosted acrylic top and bottom diffusers.

MOUNT PLATE

Formed, cold rolled steel design, finished with a high reflectance white powder coat.

LED PERFORMANCE - 3500K STANDARD

120-277V - 3500K, L80 rating - 60,000 hrs - L70 rating (projected) - 100,000 hrs
 Amperage rated @ 110V input
 Operating ambient temperature: -20°C / -4°F - 40°C / 104°F

Delivered 3500K lumens noted. Consult Brownlee.com for performance of all CCTs.

Dual Direction Distribution

B12 - 12W nominal, .10 A input - 945 lm. Dimmable (0-10V). 82 CRI Standard.
 C17 - 16W nominal, .15 A input - 1365 lm. Dimmable (0-10V). 82 CRI Standard.
 H16 - 16W nominal, .14 A input - 1357 lm. Dimmable (0-10V). 90+ CRI Standard.
 H32 - 32W nominal, .26 A input - 3024 lm. Dimmable (0-10V). 90+ CRI Standard.
 H63 - 63W nominal, .54 A input - 5945 lm. Dimmable (0-10V). 90+ CRI Standard.

MOUNTING

Fixture is designed to be mounted in the horizontal orientation to a **horizontally positioned single gang 2x4 j-box** (by others). Square cover plate must be ordered separately if mounting to a 4x4 junction box (refer to accessories section - part #: 109832XX). This cover plate will not mount to a vertically positioned single gang 2x4 j-box, contact factory for custom cover plate (custom part #: 100046XX).

FINISH

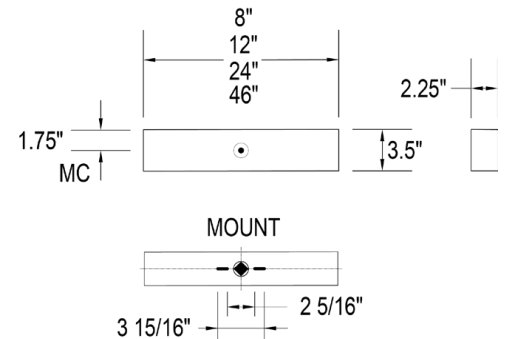
Brushed Nickel is the standard finish on the 8", 12" and 24" sizes only. The 46" size is available in all Brownlee paint finishes as a standard offering. Installation outdoors voids the Brownlee Limited Warranty.

WARRANTY

5 year limited warranty on this LED product. Consult factory for details.

ORDERING INFORMATION

PROJECT:
MODEL #:
FIXTURE TYPE:



DAMP



1575D	-	-	-	-	-	-
Model	2.	3.	4.	5.	6.	

2. SIZE

- 08** L: 08"
- 12** L: 12"
- 24** L: 24"
- 46** L: 46"

3. FINISH

08, 12, 24 SIZES

STANDARD

BN Brushed Nickel (8", 12", 24" only)

OPTIONAL

- BL** Black
- BZ** Bronze
- GM** Gun Metal
- MB** Metallic Bronze
- MG** Metallic Gold
- NT** Nickel Tone
- WH** White

3. FINISH (CONT'D)

46 SIZE

STANDARD

- BL** Black
- BZ** Bronze
- GM** Gun Metal
- MB** Metallic Bronze
- MG** Metallic Gold
- NT** Nickel Tone
- WH** White

ANTIMICROBIAL

Available in a select number of finishes. Refer to the Options section of this sheet for details ("AMP").

4. WATTAGE

- 08 SIZE**
- B12** 12W B Series LED
- C17** 16W C Series LED
- 12 SIZE**
- H16** 16W H Series LED
- 24 SIZE**
- H32** 32W H Series LED
- 46 SIZE**
- H63** 63W H Series LED

5. COLOR TEMPERATURE

- 35K** 3500K color temperature
- 27K** 2700K color temperature (B & C Series Only)
- 30K** 3000K color temperature
- 40K** 4000K color temperature

6. AVAILABLE OPTIONS

- 2CT** Dual Independent Circuits (24 & 46 size only)
- 90R⁰** 90 CRI (B & C-Series Wattages: 30K only)
- AMF** Antimicrobial Finish (BL, NT, WH only) (See AMF note)
- BAC¹** Buy American Compliant
- DTR⁴** Triac (Line Voltage) Dimming (120V)
- ES⁶** ENERGY STAR[®] (Not available in 90 CRI)
- FCL⁷** French Canadian Label
- PCH¹⁰** Pull Chain: On, Off (24 & 46 size only) (120V)
- PC4¹⁰** 4 Position Pull Chain: Uplight & Downlight, Up Only, Down Only, Off (24 & 46 size only) (120V)
- T24⁹** Title 24 JA8 Compliant (B12, H16, H32 only) (Not available in 27K)

2CT Note: For separate control of the uplight and downlight, specify 2CT (Dual Independent Circuits).

AMF Note: Antimicrobial powder coat is applied to the exposed metal fixture parts and can inhibit the growth of mildew and spoilage causing microbes on the finish.

ACCESSORIES (field installed - order separately)

- 109832BN** Cover Plate - Brushed Nickel (Covers 4x4 j-box*)
- 109832xx** Cover Plate - Specify Finish (xx) (Covers 4x4 j-box*)

*Note: This accessory will not mount to a vertically positioned 2x4 j-box (this requires a custom plate - contact factory - custom part #: 100046XX).

Universal Footnotes (only applies if option is listed on spec sheet): (0) 90R - 90 CRI output-loss multiplier: 0.85 (estimate). Cannot be combined with ES. (1) BAC - cannot be combined with FCL. (2) BBI/BBS/BBC - cannot be combined with ECW or EXT. (3) BLD - includes integral microwave motion sensor (do not combine with OCC option). Cannot be combined with DTR. (4) DTR - cannot be combined with BLD. (5) ECW - cannot be combined with BBI, BBC, or DTR. (6) ES - cannot be combined with 90R or T24. (7) FCL - cannot be combined with BAC. (8) OCC - integral microwave motion sensor (ON/OFF). (9) T24 - includes JA8 labeling and 90 CRI LEDs (do not combine with 90R option). Cannot be combined with ES. (10) PCH/PC4 - cannot be combined with BLD or OCC. **Add'l Notes:** *BBI/BBC - BBI minimum operating temp: 10C/50F unless otherwise stated. BBC minimum operating temp: -20C/-4F. **BLD - integral microwave motion sensor with step-dim control. 1: Motion is detected, illuminate to 100%. 2: Motion no longer detected, dim to set level. 3: Remain in continuous dimmed state or turn off after set period. Configurable via onboard dip switches.

Specifications and dimensions subject to change without notice.

Consult your Brownlee Lighting representative for availability and ordering information.



REVISED
2023.11.03

