



1270 LED

The REVOLVE interior sconce collection features a matte acrylic cylindrical diffuser, an aluminum housing / inset end caps in your choice of finish, and dedicated field serviceable LED components. Perfect for general illumination in corridors/elevator lobbies and bathroom vanity applications. The REVOLVE-“S” indicates the single direction cylinder. For a dual direction cylinder, refer to the REVOLVE-D (Model #: 1276).

FINISHES



REVOLVE-S

STANDARD SPECIFICATIONS

HOUSING

Aluminum base with a cold rolled steel canopy and mount plate.

DIFFUSER

Extruded UV stabilized frosted acrylic. 2.75" dia. cylinder. The diffuser contains an inset end cap which matches the specified finish.

LED PERFORMANCE

3500K standard, 90+ CRI - L80 rating - 60,000 hrs - L70 rating (projected) - 100,000 hrs
Amperage rated @ 110V input. Operating ambient temperature: -20°C / -4°F - 40°C / 104°F

Delivered 3500K lumens noted. Consult Brownlee.com for performance of all CCTs.
H08 - 8W nominal, .07 A input - 810 lm. Dimmable (0-10V), 120-277V.
H10 - 10W nominal, .08 A input - 1020 lm. Dimmable (Triac), 120V Only.

MOUNTING

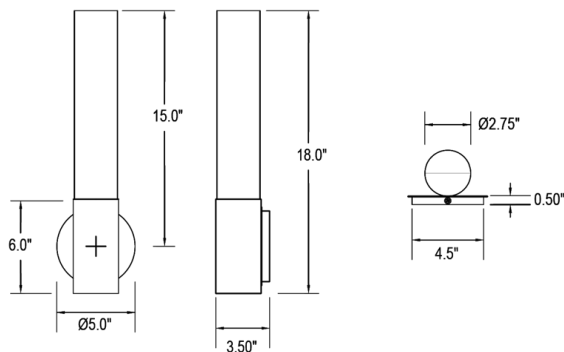
Fixture mounts directly to a j-box (by others).

FINISH

Available in all Brownlee paint finishes as a standard offering.
Installation outdoors voids the Brownlee Limited Warranty.

WARRANTY

5 year limited warranty on this LED product. Consult factory for details.



NT finish

ORDERING INFORMATION

1270 - Model - 2. - 3. - 4. - 5.



DAMP



2. FINISH

STANDARD	
BL	Black
BZ	Bronze
GM	Gun Metal
MB	Metallic Bronze
MG	Metallic Gold
NT	Nickel Tone
PL	Platinum
WH	White

ANTIMICROBIAL

Available in a select number of finishes.
Refer to the Options section of this sheet for details ("AMF").

3. WATTAGE

H08	8W H Series LED
H10	10W H Series LED

4. COLOR TEMPERATURE

35K	3500K standard color temperature
30K	3000K color temperature
40K	4000K color temperature

5. AVAILABLE OPTIONS

AMF	Antimicrobial Finish (BL, NT, WH only) (See AMF note)
BAC¹	Buy American Compliant
FCL⁷	French Canadian Labels

AMF Note: Antimicrobial powder coat is applied to the exposed metal fixture parts and can inhibit the growth of mildew and spoilage causing microbes on the finish.

Universal Footnotes (only applies if option is listed on spec sheet): (0) 90R - 90 CRI output-loss multiplier: 0.85 (estimate). Cannot be combined with ES. (1) BAC - cannot be combined with FCL. (2) BBI/BBS/BBC - cannot be combined with ECW or EXT. (3) BLD - includes integral microwave motion sensor (do not combine with OCC option). Cannot be combined with DTR. (4) DTR - cannot be combined with BLD. (5) ECW - cannot be combined with BBI, BBC, or DTR. (6) ES - cannot be combined with 90R or T24. (7) FCL - cannot be combined with BAC. (8) OCC - integral microwave motion sensor (ON/OFF). (9) T24 - includes JAB labeling and 90 CRI LEDs (do not combine with 90R option). Cannot be combined with ES. (10) PCH/PC4 - cannot be combined with BLD or OCC. **Add'l Notes:** *BBI/BBC - BBI minimum operating temp: 10C/50F unless otherwise stated. BBC minimum operating temp: -20C/-4F. **BLD - integral microwave motion sensor with step-dim control. 1: Motion is detected, illuminate to 100%. 2: Motion no longer detected, dim to set level. 3: Remain in continuous dimmed state or turn off after set period. Configurable via onboard dip switches.

Specifications and dimensions subject to change without notice.

Consult your Brownlee Lighting representative for availability and ordering information.