



## 1108 LED

Hover combines refined simplicity with sophisticated indirect LED performance. Offered in two sizes, 12.5" & 17.5", this wall luminaire features a spun aluminum front trim with an impressive low-profile projection of only two inches. Hover is ideal for layering light in lobbies, corridors, and common areas in a variety of commercial and residential environments. ADA-compliant. Refer to Model #: 1110 for Hover "Acoustic" which incorporates PET felt trim accessories for additional customization.

## FINISHES (POWDER COAT)



# HOVER

## STANDARD SPECIFICATIONS

### HOUSING + CANOPY

Spun aluminum housing (front trim) and canopy, powder coated in your choice of finish.

### DIFFUSER

UV stabilized frosted acrylic.

### LED PERFORMANCE

120-277V. 3500K standard, 90+ CRI - L80 rating - 60,000 hrs - L70 rating (projected) - 100,000 hrs Amperage rated @ 110V input. Operating ambient temperature: -20°C / -4°F - 35°C / 95°F

Delivered lumens shown in 3500K.

10 Size: Q10 - 10W nominal, .10 A input - 1130 lm. Dimmable (0-10V).

10 Size: Q15 - 15W nominal, .13 A input - 1605 lm. Dimmable (0-10V).

10 Size: Q22 - 22W nominal, .19 A input - 2220 lm. Dimmable (0-10V).

15 Size: Q16 - 16W nominal, .14 A input - 1690 lm. Dimmable (0-10V).

15 Size: Q19 - 19W nominal, .16 A input - 2130 lm. Dimmable (0-10V).

15 Size: Q30 - 30W nominal, .25 A input - 3330 lm. Dimmable (0-10V).

Note: Contact factory for possible output modifications.

### MOUNTING

Fixture mounts directly to j-box (by others). Single set screw located on canopy. 2mm bit. Extended driver shaft required on 15" size. Indoors only. Wall mount only.

### FINISH

Housing and canopy are available in all Brownlee powder coat finishes as a standard offering. Custom colors available - contact factory.

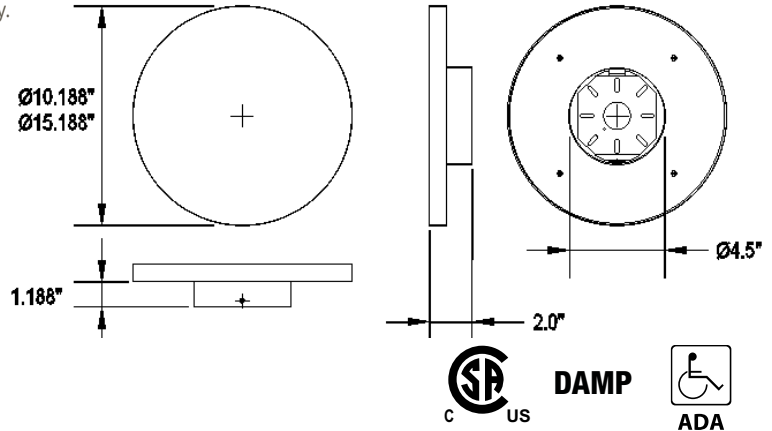
### WARRANTY

5 year limited warranty on this LED product. Consult factory for details.

### \*ACOUSTIC VERSION\*

Refer to Model #: 1110 for this product plus acoustic trim accessories.

<b>PROJECT:</b>
<b>MODEL #:</b>
<b>FIXTURE TYPE:</b>



## ORDERING INFORMATION

**1108** - \_\_\_\_\_  
 Model                    2.                    3.                    4.                    5.                    6.

2. SIZE	3. FINISH	4. WATTAGE	5. COLOR TEMP	6. AVAILABLE OPTIONS
<b>10</b> 10" dia.	<b>WH</b> White	<b>10 SIZE</b>	<b>27K</b> 2700K	<b>AMF</b> Antimicrobial Finish (BL, NT, WH only) (See AMF note)
<b>15</b> 15" dia.	<b>BL</b> Black	<b>Q10</b> 10W Q Series LED	<b>30K</b> 3000K	<b>BAC<sup>1</sup></b> Buy American Compliant
	<b>BU</b> Pastel Blue (RAL 5024)	<b>Q15</b> 15W Q Series LED	<b>35K</b> 3500K standard	<b>DTR<sup>4</sup></b> Triac (Line Voltage) Dimming (120V)
	<b>GN</b> Pastel Green (RAL 6019)	<b>Q22</b> 22W Q Series LED	<i>Contact factory for 4000K. May become available in 2025.</i>	<b>FCL<sup>7</sup></b> French Canadian Labels
	<b>MG</b> Metallic Gold	<b>15 SIZE</b>		<small>AMF Note: Antimicrobial powder coat is applied to the exposed metal fixture parts and can inhibit the growth of mildew and spoilage causing microbes on the finish. <b>AMF does NOT apply to acoustic accessories or diffuser.</b></small>
	<b>NT</b> Nickel Tone	<b>Q16</b> 16W Q Series LED		
	<b>OR</b> Florida Orange	<b>Q19</b> 19W Q Series LED		
	<b>RD</b> Red (RAL 3020)	<b>Q30</b> 30W Q Series LED		
	<b>YL</b> Yellow (RAL 1018)			

**Universal Footnotes (only applies if option is listed on spec sheet):** (0) 90R - 90 CRI output-loss multiplier: 0.85 (estimate). Cannot be combined with ES. (1) BAC/BAB - www.brownlee.com/resources/usa. (2) BBI/BBS/BBC - cannot be combined with ECW or EXT. (3) BLD - includes integral microwave motion sensor (do not combine with OCC). Cannot be combined with DTR. (4) DTR - cannot be combined with BLD. (5) ECW - cannot be combined with BBI, BBC, or DTR. (6) ES - cannot be combined with 90R or T24. (7) FCL - cannot be combined with BAC. (8) OCC - integral microwave motion sensor (ON/OFF). (9) T24 - includes JAB labeling and 90 CRI LEDs (do not combine with 90R option). Cannot be combined with ES. (10) PCH/PC4 - cannot be combined with BLD or OCC. **Add'l Notes:** \*BBI/BBC - BBI minimum operating temp: 10C/50F unless otherwise stated. BBC minimum operating temp: -20C/-4F. \*\*BLD - integral microwave motion sensor with step-dim control. 1: Motion is detected, illuminate to 100%. 2: Motion no longer detected, dim to set level. 3: Remain in continuous dimmed state or turn off after set period. Configurable via onboard dip switches. **Specifications and dimensions subject to change without notice.** Consult your Brownlee Lighting representative for availability and ordering information.