

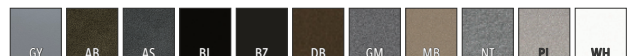


Medium Grey (GY) finish

7162 LED

The impact resistant 7162 LED carries an architectural aesthetic that can be utilized both outdoors and indoors. This wet-listed unit is constructed of robust die-cast aluminum, while the diffuser is constructed of stout, 0.10" thick UV stabilized white polycarbonate. Hardware consists of tamper-resistant, stainless steel screws. This versatile unit can be used in a variety of applications such as breezeways, corridors, port-cocheres, stairwells, garages, commercial restrooms and more. It also serves as a decorative, yet durable solution for vandal prone applications such as student housing and schools. Ceiling or wall mount. Battery backup optional.

FINISHES



HI-IMPACT

STANDARD SPECIFICATIONS

HOUSING

Heavy duty, marine grade die-cast aluminum construction. The housing features a silicone seal that is positioned on the edge of the opening against the diffuser to prevent water intrusion. Hardware consists of tamper resistant, stainless steel socket drive screws.

DIFFUSER

Impact resistant, 0.10" thick white polycarbonate. UV stabilized.

REFLECTOR

Aluminum with a powder coat high reflectance white finish.

LED PERFORMANCE - 3500K STANDARD

120-277V - 3500K, 82 CRI - L80 rating - 60,000 hrs - L70 rating (projected) - 100,000 hrs
 Amperage rated @ 110V input
 Operating ambient temperature: -20°C / -4°F - 50°C / 122°F

Delivered 3500K lumens noted. Consult Brownlee.com for performance of all CCTs.

- B06 - 6W nominal, .05 A input - 494 lm. Non-dimming.
- B12 - 12W nominal, .10 A input - 976 lm. Dimmable (0-10V).
- C09 - 9W nominal, .10 A input - 688 lm. Dimmable (0-10V).
- C13 - 13W nominal, .10 A input - 936 lm. Dimmable (0-10V).
- C17 - 16W nominal, .15 A input - 1410 lm. Dimmable (0-10V).
- C24 - 23W nominal, .20 A input - 1935 lm. Dimmable (0-10V).

MOUNTING

Directly to j-box (by others). Mounting hardware included. Not available with conduit entry.

FINISH

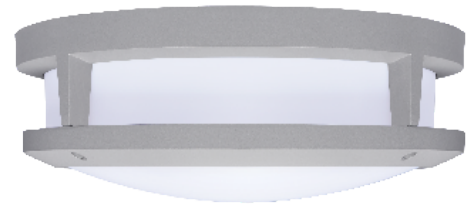
The 7162 is finished in a Medium Grey powder coat as a standard offering. Optional finishes available.

WARRANTY

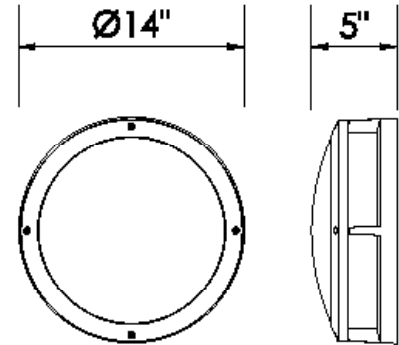
5 year limited warranty on this LED product. Consult factory for details.

ORDERING INFORMATION

PROJECT:
MODEL #:
FIXTURE TYPE:



GY finish



7162 - _____
 Model 2. 3. 4. 5. (if required)

2. FINISH

STANDARD
GY Medium Grey

OPTIONAL
AB Antique Bronze
AS Antique Silver
BL Black
BZ Bronze
DB Desert Bronze
GM Gun Metal
MB Metallic Bronze
NT Nickel Tone
PL Platinum
WH White

3. WATTAGE

B06 6W B Series LED
B12 12W B Series LED
C09 9W C Series LED
C13 13W Series LED
C17 16W C Series LED
C24 23W C Series LED

Note: Contact factory for higher lumen packages.

4. COLOR TEMPERATURE

35K 3500K standard color temperature
27K 2700K color temperature
30K 3000K color temperature
40K 4000K color temperature

5. AVAILABLE OPTIONS

BAC¹ Buy American Compliant
BBI^{2*} Integral Battery Backup (8W) (B06, C09 and C13 only)
Battery must be connected to continuous power supply within 7 Mo. of shipping. See Warranty Note 3.
BLD^{3}** Bi-Level Dimming (All except B06)
DTR⁴ Triac (Line Voltage) Dimming (120V) (All except B06)
ECW⁵ Extreme Cold Weather (-40°C / -40°F min.)
ES⁶ ENERGY STAR®
FCL⁷ French Canadian Labels
OCC⁸ Occupancy Sensor
T24⁹ Title 24 JA8 Compliant (B12 & C24 in 3000K Only)

Universal Footnotes (only applies if option is listed on spec sheet): (0) 90R - 90 CRI output-loss multiplier: 0.85 (estimate). Cannot be combined with ES. (1) BAC - cannot be combined with FCL. (2) BBI/BBS/BBC - cannot be combined with ECW or EXT. (3) BLD - includes integral microwave motion sensor (do not combine with OCC option). Cannot be combined with DTR. (4) DTR - cannot be combined with BLD. (5) ECW - cannot be combined with BBI, BBC, or DTR. (6) ES - cannot be combined with 90R or T24. (7) FCL - cannot be combined with BAC. (8) OCC - integral microwave motion sensor (ON/OFF). (9) T24 - includes JA8 labeling and 90 CRI LEDs (do not combine with 90R option). Cannot be combined with ES. (10) PCH/PC4 - cannot be combined with BLD or OCC. **Add'l Notes:** *BBI/BBC - BBI minimum operating temp: 10C/50F unless otherwise stated. BBC minimum operating temp: -20C/-4F. **BLD - integral microwave motion sensor with step-dim control. 1: Motion is detected, illuminate to 100%. 2: Motion no longer detected, dim to set level. 3: Remain in continuous dimmed state or turn off after set period. Configurable via onboard dip switches.

Specifications and dimensions subject to change without notice.

Consult your Brownlee Lighting representative for availability and ordering information.